

L Column

Intelligent Light Column





Construction

Aluminum

Less than 0.1% copper content – Marine Grade 6060 extruded & LM6 Aluminum High Pressure die casting provides excellent mechanical strength, clean detailed product lines and excellent heat dissipation.

Pre paint

8 step degrease and phosphate process that includes deoxidizing and etching as well as a zinc and nickel phosphate process before product painting.

Memory Retentive -Silicon Gasket

Provided with special injection molded “fit for purpose” long life high temperature memory retentive silicon gaskets. Maintains the gaskets exact profile and seal over years of use and compression.

Thermal management

LM6 Aluminum is used for its excellent mechanical strength and thermal dissipation properties in low and high ambient temperatures. The superior thermal heat sink design by Ligman used in conjunction with the driver, controls thermals below critical temperature range to ensure maximum luminous flux output, as well as providing long LED service life and ensuring less than 10% lumen depreciation at 50,000 hours.

Surge Suppression

Standard 10kv surge suppressor provided with all fixtures.

BUG Rating

Contact Factory

Finishing

All Ligman products go through an extensive finishing process that includes fettling to improve paint adherence.

Paint

UV Stabilized 4.9Mil thick powder coat paint and baked at 200 Deg C. This process ensures that Ligman products can withstand harsh environments. Rated for use in natatoriums.

Hardware

Provided Hardware is Marine grade 316 Stainless steel.

Anti Seize Screw Holes

Tapped holes are infused with a special anti seize compound designed to prevent seizure of threaded connections, due to electrolysis from heat, corrosive atmospheres and moisture.

High Impact Acrylic Lens (When Used)

Manufactured with Ultra High Impact, Naturally UV Stabilized Injection Molded Acrylic.

Optics & LED

Precise optic design provides exceptional light control and precise distribution of light. LED CRI > 80

Lumen - Maintenance Life (When Used)

L80 /B10 at 50,000 hours (This means that at least 90% of the LED still achieve 80% of their original flux)

A sleek configurable smart lighting column system offering unlimited options for urban and public realm illumination. With a suite of smart city technology options and infinite configuration possibilities, LIGMAN's L-COLUMN is the most powerful and adaptable smart city solution in the marketplace.

Lighting Solutions

The system can incorporate any post top ambient lighting fixture from the LIGMAN portfolio, plus bracket/arm area luminaires, floodlights and RGBW configurable beacons. The choice is yours to meet the lighting design needs for the space/area.

Smart City Solutions

Beyond these infinite lighting options are options for many Smart City technologies, including an electric car/vehicle (EV) charging unit, intercom, panic button, CCTV, Audio Speakers, WiFi access points and Mobile equipment, banners, flags, and signs.

Fully open, flexible smart city platform that offers not only complete package solutions, but also allows clients to choose their own preferences for WiFi access point hardware, camera systems and practically anything else Ligman can engineer into the L COLUMN. Ligman L COLUMN offers the agility for “future ready” components and systems.

Functional Lighting

L COLUMN is not restricted to enclosed lighting modules that struggle to perform given the limiting form factor of an average smart pole. L COLUMN not only has superior 360 lighting module capabilities but also incorporates high performing, aimable, mini floodlights with up to 4 x Ligman Odessa or Lador luminaires. If the lighting task requires bigger lumen packages, the L COLUMN comes with luminaire bracket options to support any luminaire the client desires.

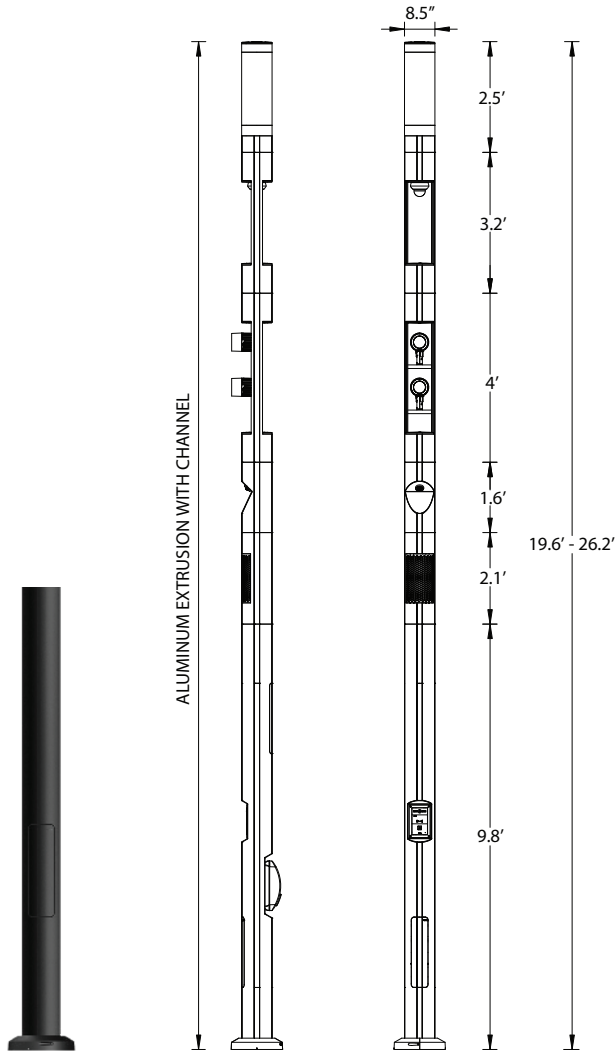


Fully IoT ready to work with any CMS system supplier via NEMA 7 or Zhaga Book 18 sockets. Ligman offers the smallest CMS nodes on the market which are compliant with the Zhaga Book 18 architecture and DALI 2.0.

Non-enclosed cameras for enhanced performance, dome or PTZ, that can be controlled and monitored for 360° coverage of areas.



Generation 1



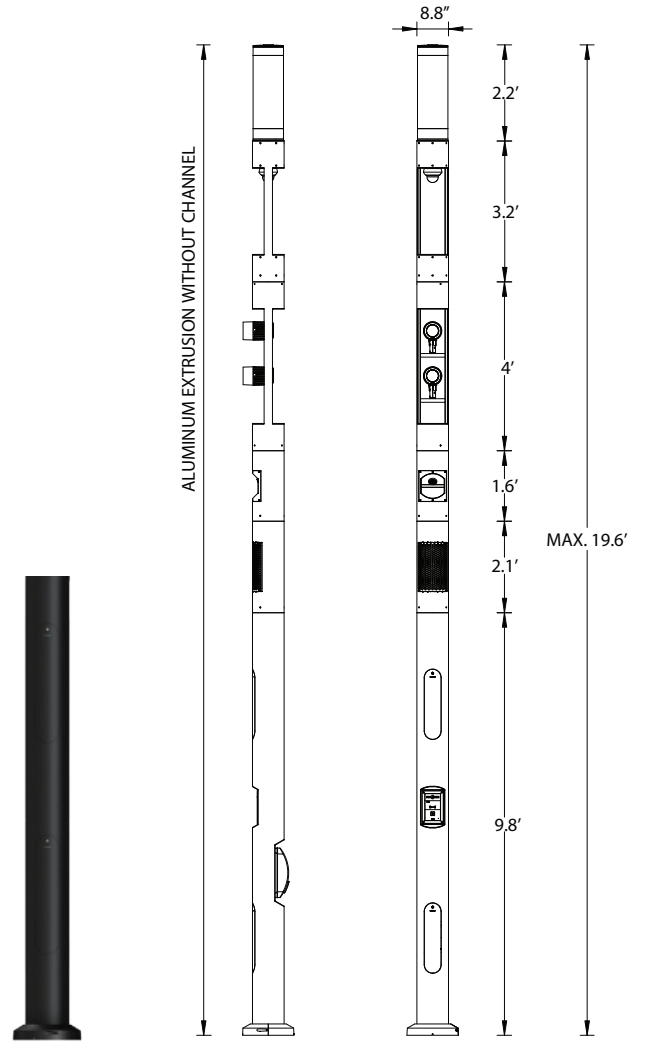
LCP-A0216

L-COLUMN : Aluminium Ø8.5"

Full aluminum channel pole system, configurable up to 26.2'

• Optional Steel Column - Contact Factory For Information

Generation 2



LCP-A0225

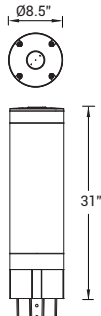
L-COLUMN : Aluminium Ø8.8"

Full aluminum channel pole system, configurable up to 19.6'

LCO-20011 360° Lighting



- 54w LED
- Up to 6000lm
- T2, T3, T5, M-100", W-103"x86"
- 2700K, 3000K, 3500K, 4000K
- ø8.5" Pole

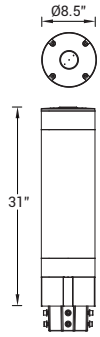


LCO-20011

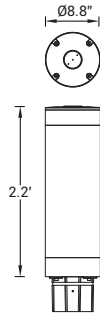
LCO-20013 360° Lighting



- 80w LED
- Up to 8000lm
- T2, T3, T5, M-100", W-103"x86"
- 2700K, 3000K, 3500K, 4000K
- ø8.5" or ø8.8" Pole



LCO-20013-216

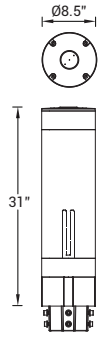


LCO-20013-225

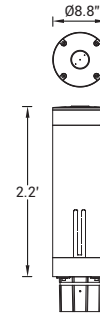
LCO-20014 360° Lighting + WiFi



- 80w LED
- Up to 8000lm
- T2, T3, T5, M-100", W-103"x86"
- ø8.5" or ø8.8" Pole
- 2.4 GHz & 5 GHz world approved frequencies
- Dual band 2x2 MIMO 802.11N/A with 100m coverage
- PoE (Power Over Ethernet)
- 128 clients (Max number of active connections)
- Dual band, high speed



LCO-20014-216

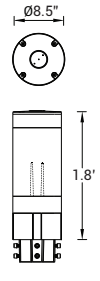


LCO-20014-225

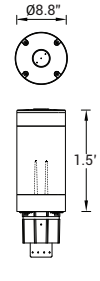
LCO-20041 WiFi



- 2.4 GHz & 5 GHz world approved frequencies
- Dual band 2x2 MIMO 802.11N/A with 100m coverage
- PoE (Power Over Ethernet)
- 128 clients (Max number of active connections)
- Dual band, high speed



LCO-20041-216

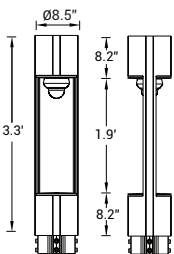


LCO-20041-225

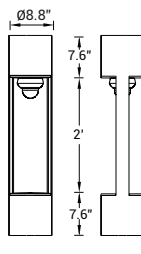
LCO-20021 360° Camera



- High definition 1/2.5" progressive scan CMOS Image sensor
- Low level lighting mode, 0 lux with IR
- Video compression H.265+
- Ultra high definition 2560x1440 pixels at 30fps
- Video bitrate up to 16384 Kbps
- 3 axis on-sit adjustment
- API ONVIF
- Multiprotocol HTTP, HTTPS, PPPoE, SMTP
- OPTIONAL: Point, tilt, zoom versions, higher 4 MP



LCO-20021-216

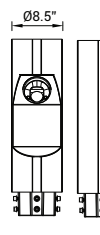


LCO-20021-225

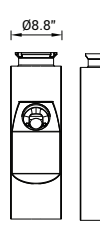
LCO-20023 180° Camera



- High definition 1/2.5" progressive scan CMOS Image sensor
- Low level lighting mode, 0 lux with IR
- Video compression H.265+
- Ultra high definition 2560x1440 pixels at 30fps
- Video bitrate up to 16384 Kbps
- 3 axis on-sit adjustment
- API ONVIF
- Multiprotocol HTTP, HTTPS, PPPoE, SMTP
- OPTIONAL: Point, tilt, zoom versions, higher 4 MP

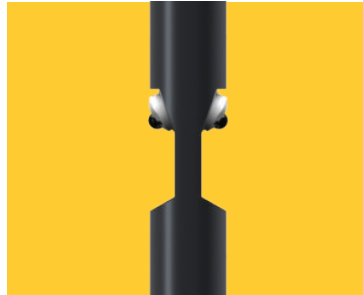


LCO-20023-216

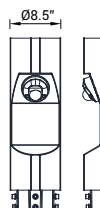


LCO-20023-225

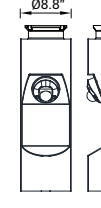
LCO-20024 2x180° Camera



- High definition 1/2.5" progressive scan CMOS Image sensor
- Low level lighting mode, 0 lux with IR
- Video compression H.265+
- Ultra high definition 2560x1440 pixels at 30fps
- Video bitrate up to 16384 Kbps
- 3 axis on-sit adjustment
- API ONVIF
- Multiprotocol HTTP, HTTPS, PPPoE, SMTP
- OPTIONAL: Point, tilt, zoom versions, higher 4 MP

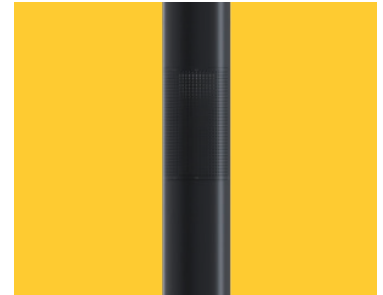


LCO-20024-216

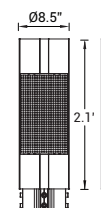


LCO-20024-225

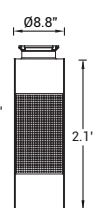
LCO-20071 Speaker



- 10-80 W
- wide power- 4 Ohm low impedance
- 20 Hz - 20KHz (wide audio range)

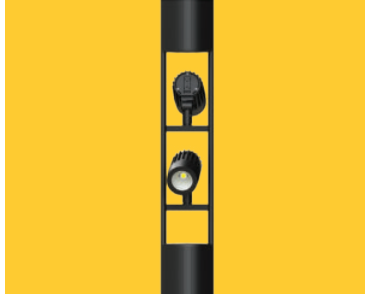


LCO-20071-216



LCO-20071-225

LCO-20067 | LCO-20067-VN Odessa Cluster (2)



- 2x21w LED
- Up to 1688lm per floodlight
- 23°, 32°, 47° | VN-8
- 2700K, 3000K, 3500K, 4000K
- Adjustable: Tilt 60° (Up) 70° (Down) 20° Rotation

LCO-20068 | LCO-20068-RGBW Lador Cluster (2)



- 2x21w LED | 2x36w RGBW
- Up to 1975lm per floodlight | Up to 1016lm per floodlight
- 10°, 19°, 33°, 41°x14°, 71° | 8°, 17°, 26°, 43° x 11°, 65°
- 2700K, 3000K, 3500K, 4000K | RGBW30, RGBW40, RGBW65
- Adjustable: Tilt 60° (Up) 70° (Down) 20° Rotation

LCO-20051 NEMA

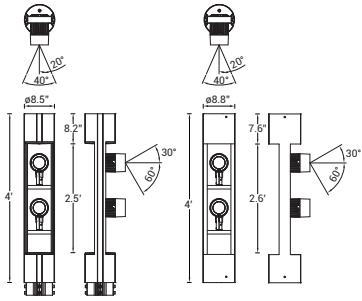


- Wireless control of lighting fixture
- Supports all common wireless protocols

LCO-20052 Zhaga Book 18

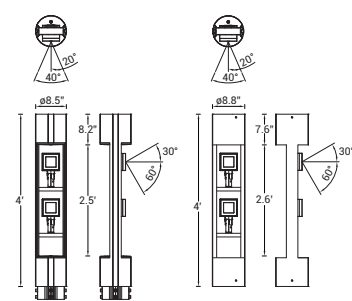


- Wireless control of lighting fixture
- Supports all common wireless protocols



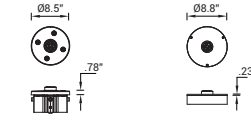
LCO-20067-216
LCO-20067-VN-216

LCO-20067-225
LCO-20067-VN-225



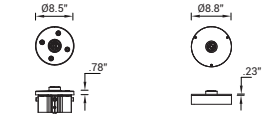
LCO-20068-216
LCO-20068-RGBW-216

LCO-20068-225
LCO-20068-RGBW-225



LCO-20051-216

LCO-20051-225



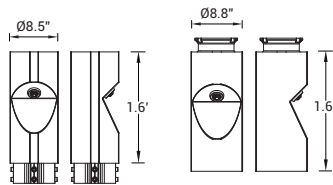
LCO-20052-216

LCO-20052-225

LCO-20121 Occupancy Sensor



- 24 hour daylight monitoring dawn/dusk sensor
- Tri-level dimming control based upon occupancy
- Programmable detection area 30°-150°
- Programmable light level activation 2-50 lux
- Cluster floodlight activator



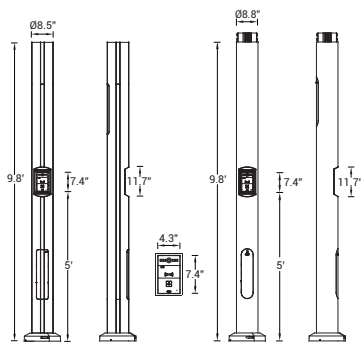
LCO-20121-216

LCO-20121-225

LCO-20092 Intercom



- Stainless steel vandalism protected
- Single button direct to controller alert
- Built in camera and speaker
- IP communication
- LED beacon (LCO-20081) available



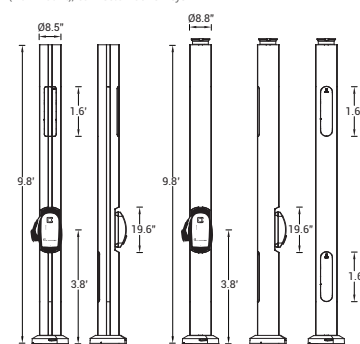
LCO-20092-216

LCO-20092-225

LCO-20093 Electric Vehicle Charger



- 32 Amp (7.7kw max)
- Hardwired (3ft service whip provided)
- 208/240V, 40A
- 3 Year warranty
- 25ft charging cable
- Lockable SAE J1772
- SAE J1772 Connector holster (wall mount); connector lock & keys
- Fully sealed NEMA 4
- Indoor/Outdoor rated
- -22°F to 122°F
- ETL, cETLus, ENERGY STAR®
- Made in the USA
- * Customer may provide own electric vehicle charger



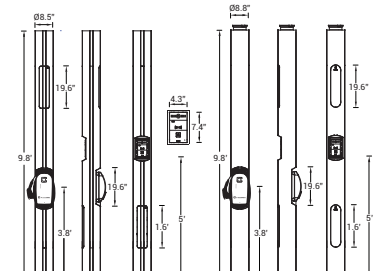
LCO-20093-216

LCO-20093-225

LCO-20094 Electric Vehicle Charger + Intercom



- Stainless steel vandalism protected
- Single button direct to controller alert
- Built in camera and speaker
- IP communication
- LED beacon (LCO-20081) available
- 32 Amp (7.7kw max)
- Hardwired (3ft service whip provided)
- 208/240V, 40A
- 3 Year warranty
- 25ft charging cable
- Lockable SAE J1772
- SAE J1772 Connector holster (wall mount); connector lock & keys
- Fully sealed NEMA 4
- Indoor/Outdoor rated
- -22°F to 122°F
- ETL, cETLus, ENERGY STAR®
- Made in the USA
- * Customer may provide own electric vehicle charger



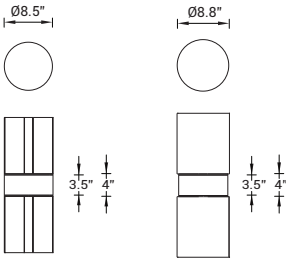
LCO-20094-A-216

LCO-20094-A-225

LCO-20081
LED Beacon



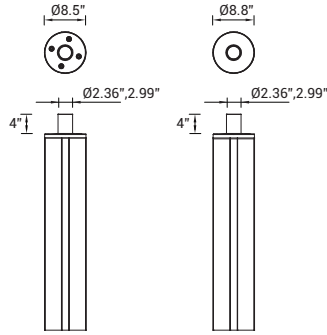
- LED Beacon can change color when intercom is used
- Alerts patrol that intercom has been used & allows response
- 4 Color RGBW
- Flashing or static
- Start with 1 color on stand by & change to another when intercom is activated
- 24 hour functioning
- Only available with intercom



LCO-20081-216

LCO-20081-225

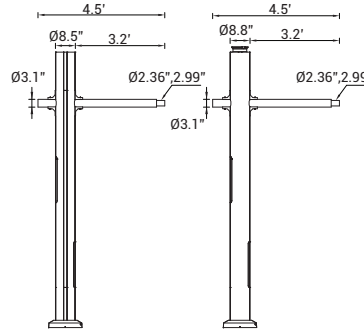
LCO-20101
Post Top Luminaire Tenon



LCO-20101-216

LCO-20101-225

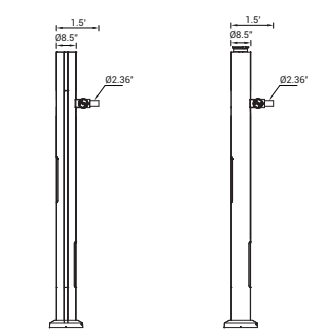
LCO-20131
Luminaire Mounting Arm



LCO-20131-216

LCO-20131-225

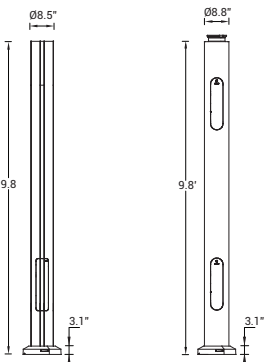
LCO-20132
Adjustable Luminaire Mounting Arm



LCO-20132-216

LCO-20132-225

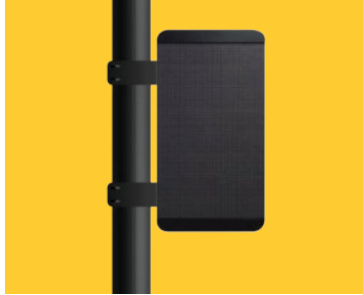
LCO-20091
Column



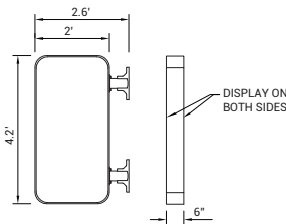
LCO-20091-216

LCO-20091-225

A92191
Digital Signage

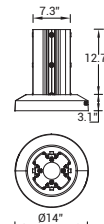
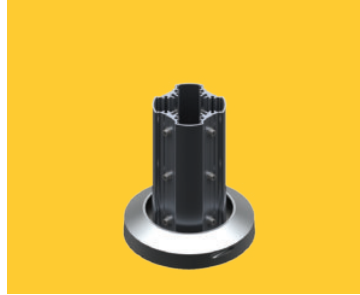


- .15" pixel pitch, 128x256 pixels
- Refresh rate > 1920Hz
- Viewing distance 13" - 32"
- Operating environment -40°F - 140°F, up to 95% RH
- High brightness > 5000 nits for daytime viewing
- Signal type: All 5-Wides, VGA, DVI, HDMI, SDI, DP
- Waterproof IP65
- Steel cabinet: 2' x 4.8' x 4.7'
- Single & double sided display
- Wireless connection
- RVARC campaign manager over cloud CMS
- Control up to 10,000 LED displays through one cloud app
- 114 lbs cabinet weight
- Power consumption (Max/Average) 100/380 W sq.m
- 3 year warranty
- Option to connect to L-Column speaker



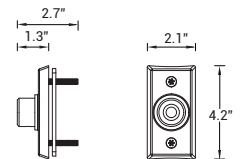
A92191

LCO-20112
Base + Cover



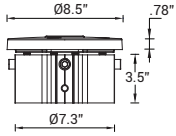
LCO-20112

A21181
Floodlight Bracket



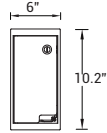
A21181

A21591
Top Cover



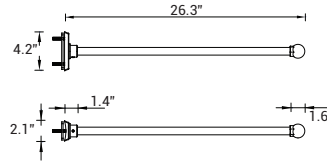
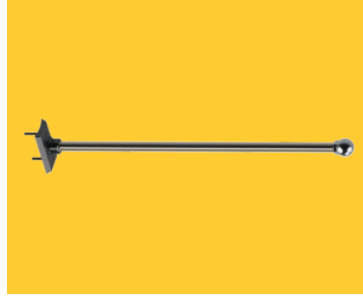
A21591

A91591
Lockable GFCI Box











A91591

A21281
Banner Arm



A21281



							
Digital signage	Intercom	EV Charger	EV Charger + Intercom	Round power socket	Luminaire mount arm	Adjustable luminaire mount arm	Column
A92191	LCO-20092	LCO-20093	LCO-20094	A91591	LCO-20131	LCO-20132	LCO-20091
X	X	X	X	X	X	X	X
X	X	X	X	X	X	X	X
X	X	X	X	X	X	X	X
<input type="checkbox"/>	X	X	X	X	X	X	X
<input type="checkbox"/>	X	X	X	X	X	X	X
<input type="checkbox"/>	<input type="checkbox"/>	<input type="checkbox"/>	<input type="checkbox"/>	<input type="checkbox"/>	<input type="checkbox"/>	<input type="checkbox"/>	<input type="checkbox"/>
X	X	X	X	X	X	X	X

PROJECT

DATE

QUANTITY

TYPE

NOTE